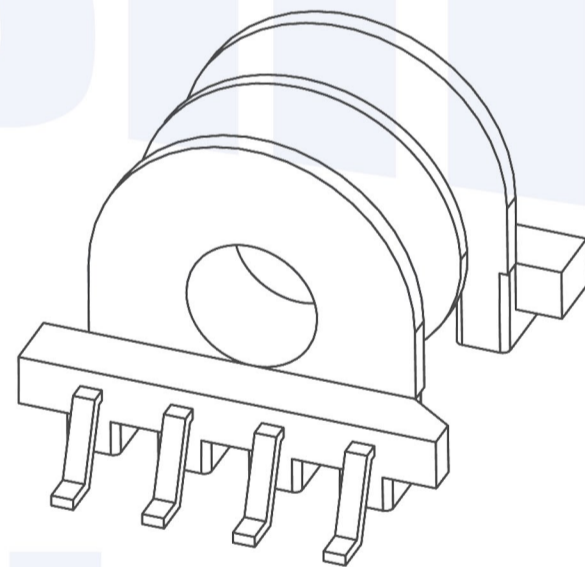
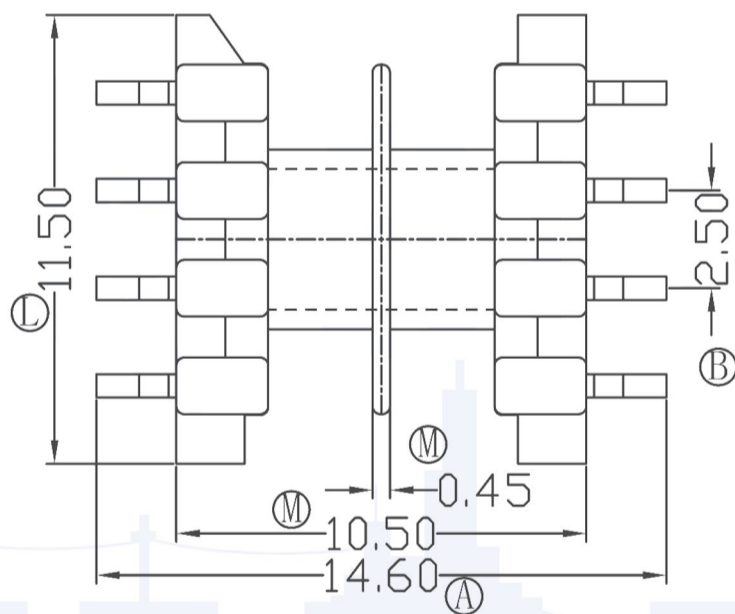
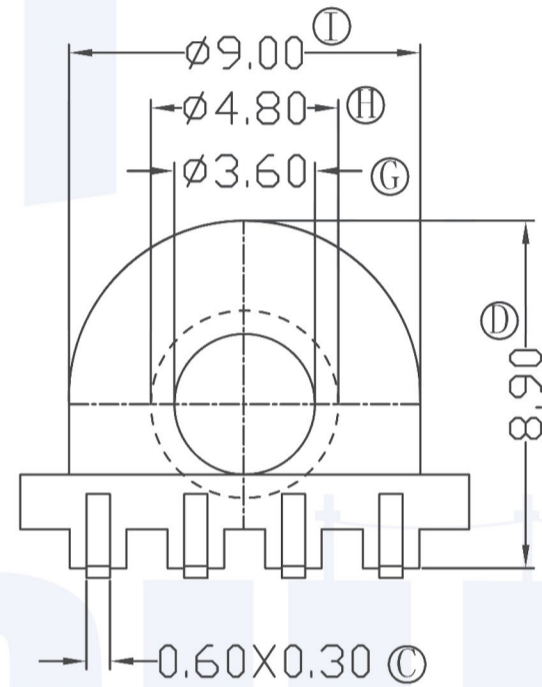
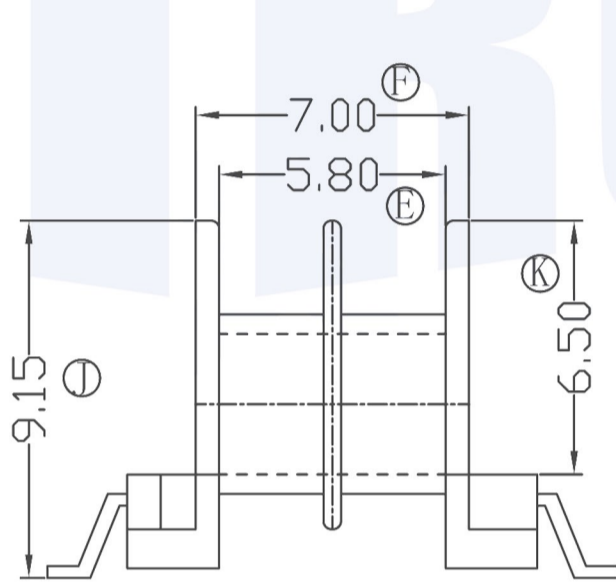


SHIRUI

P/N
SR-SMD EP1002



Hefei Shirui Electronic Technology Co., Ltd

SR NO. SR-SMD EP1002	MATERIAL: LCP-E4008	UNIT: mm	DRN.	WILL H
MODEL NAME: SMD-EP10-8P-2S H	UL REC: UL 94V-0	TOLERANCE	CHD.	IRINA LEE
	ANGLE: ± °	0 < L ≤ 4 ±0.10	ISSD.	JAMES HU
	SCALE 1:1	4 < L ≤ 16 ±0.20		
		16 < L ≤ 64 ±0.30		
		PIN PITCH ±0.05		